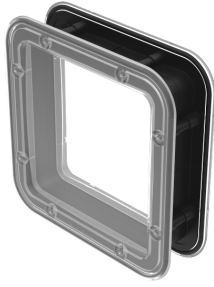


# INSPECTION WINDOW SQUARE



Square inspection window in transparent, impact-resistant polycarbonate. Intended for HVAC-applications using insulated or double-skinned doors. The window is equipped with an integrated gasket and is suitable for units with positive or negative pressure. Simple mounting by using eight self-tapping stainless screws from one side only. No fastening hardware on the inside ensure perfect thermal breakage. Mounting screws are included.

Sealed against dust and water according IP66.



## MATERIAL

- Screw:** Stainless steel 304
- Sealing:** Foam rubber, EPDM
- Spacer:** Black ABS
- Window:** Polycarbonate V0, UV stabilized

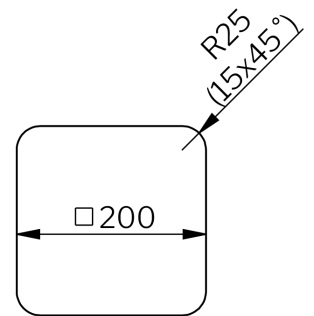
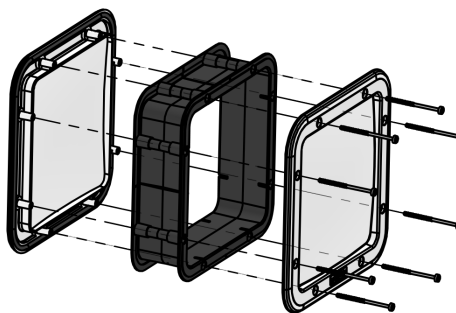
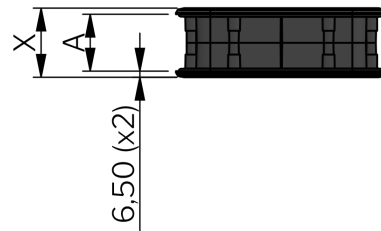
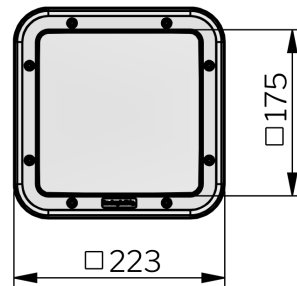
## RELATED PRODUCTS

- Similar products:** 5-255
- Accessories:** 5-425
- Use the Index Code at [industrilas.com](http://industrilas.com)

## TECHNICAL INFORMATION

Sealed according to L1 DIN EN 1886.  
 Inspection windows for other door thicknesses upon request. Customer logo may be included upon request. Door thickness tolerance:  $\pm 2$  mm.  
 Window material (Polycarbonate/Macrolone 6555) is approved according to VDI 6022, sheet 1 (04/2006) for microbiologically inert material. UL94V resistant.

**Standards:** IP66, VDI 6022



P/N	Description	A [mm]	X (mm)
506002-40	223 x 223 mm	40	53
506002-50	223 x 223 mm	50	63
506002-60	223 x 223 mm	60	73